



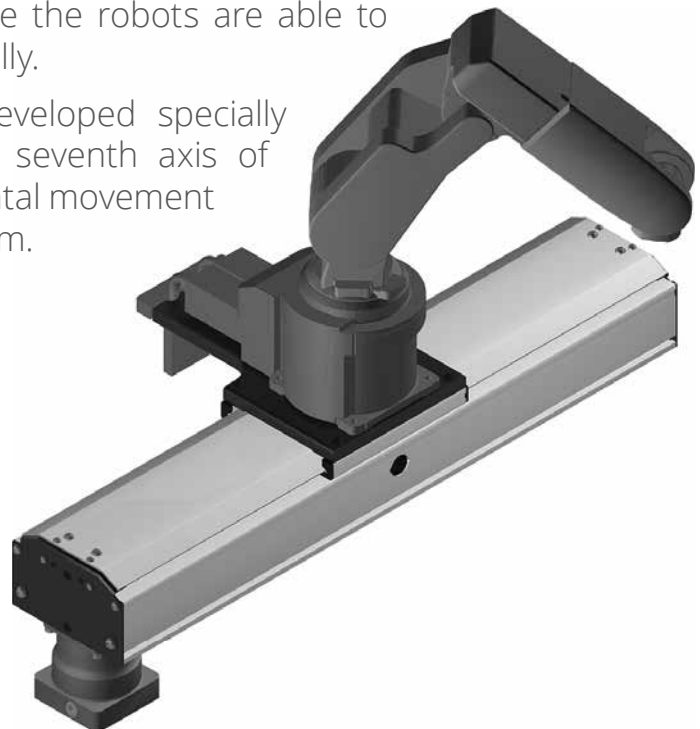
## MORE FREEDOM FOR ROBOTICS

Collaboration – and the perfect transition from one work step to the next – are required. Linear drives provide robotics with the required freedom and free the high-productivity automation systems from their fixed operation site. On production lines in particular, noticeable time savings are achievable with movable, rotatory multi-axis kinematics – where the robots are able to follow the production sequence spatially.

For that, Bahr Modultechnik has developed specially adapted linear systems. This is the seventh axis of robotics – and it takes over the horizontal movement of the robot precisely to the line rhythm.

### THE ADVANTAGE FOR YOU:

**Better productivity in the workflow because more assembly and handling time is available.**





## ROBOTS ON RAILS

If the robot moves too, there is more time for the work cycle. If the robot moves from its usual place, then the work areas can also be designed more flexibly and other tasks can be integrated.

**Robots on the seventh axis by Bahr Modultechnik:** We realized this technically using toothed belt axes that have the robustness and positioning precision necessary for this application. Our module construction kit offers a broad solution space, allowing the linear axes to be precisely adjusted to the robot and the production environment. This includes dynamism, precision, load capacity, drive stiffness and, above all, operating reliability.

### All features at a glance

- Low noise, low vibration, and low maintenance
- Long travelling distances
- Speeds up to 8 m/s and acceleration up to 10 m/s<sup>2</sup>
- Space saving thanks to compact design
- Long service life and high load capacity
- High drive stiffness
- Low weight
- Aluminum profile with hardened and anodized surface
- Resistant to environmental influences (dust or abrasive materials)

### Our advantages – For you

- Unlimited individualization
- High speed and acceleration
- Process reliability
- Maximum precision
- Advice and support with outstanding customer service
- Comprehensive product portfolio in premium quality
- Short delivery times within 2–3 weeks
- Emergency service and delivery within 24 hours
- Easy assembly with extensive accessories

### Bahr Modultechnik GmbH

Nord-Süd-Straße 10a  
D-31711 Luhden

Phone +49 (0) 5722 - 9933-0  
Fax +49 (0) 5722 - 9933-70

info@bahr-modultechnik.de  
www.bahr-modultechnik.de